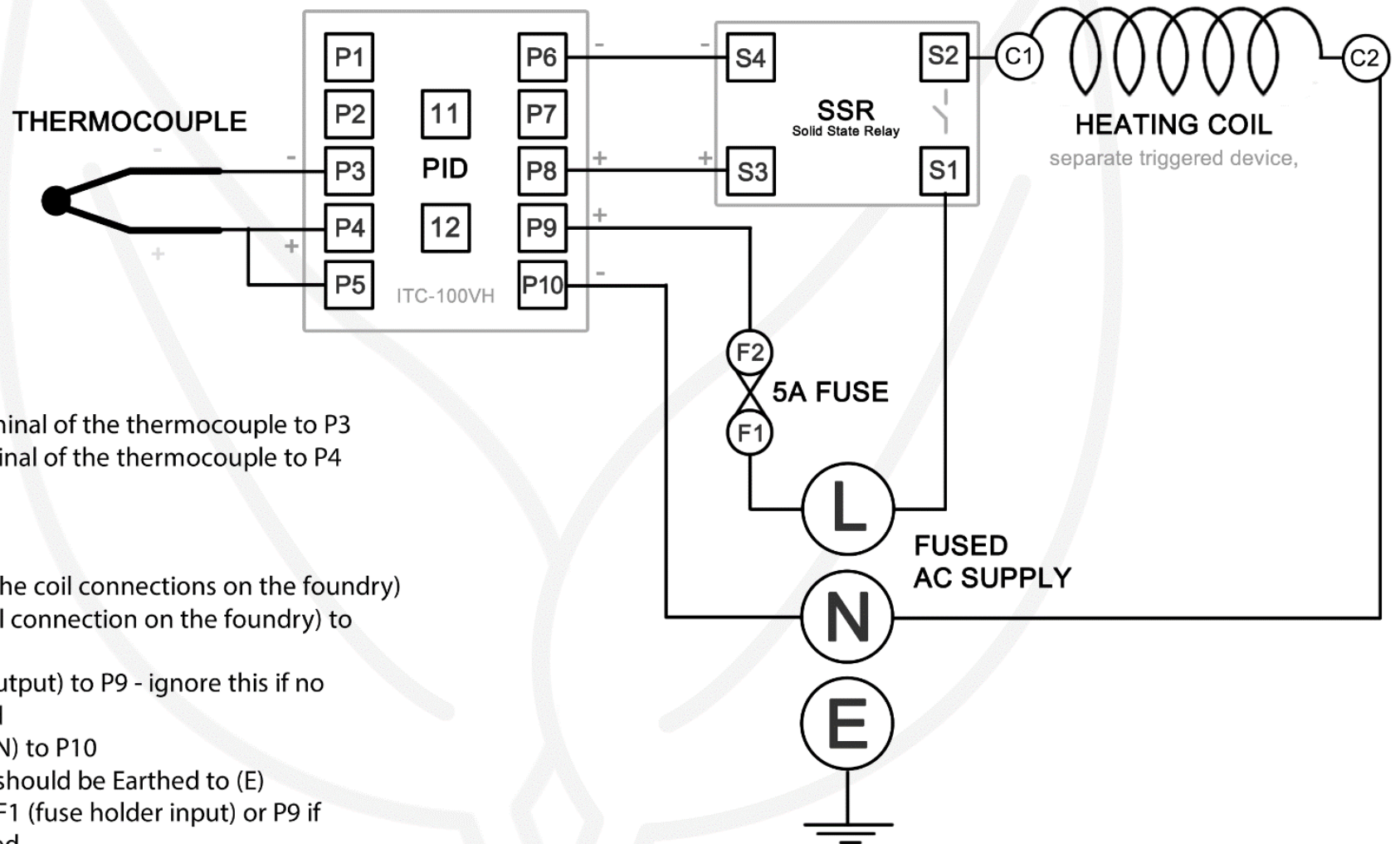


Inkbird ITC-100VH Wiring Diagram - by VegOilGuy



Wiring Instructions :

- Connect the negative terminal of the thermocouple to P3
- Connect the positive terminal of the thermocouple to P4
- Connect (bridge) P4 to P5
- Connect P6 to S4
- Connect P8 to S3
- Connect S2 to C1 (one of the coil connections on the foundry)
- Connect C2 (the other coil connection on the foundry) to mains Negative (N)
- Connect F2 (fuse holder output) to P9 - ignore this if no optional small fuse is fitted
- Connect mains Negative (N) to P10
- Any metal in your project should be Earthed to (E)
- Connect mains Live (L) to F1 (fuse holder input) or P9 if optional small fuse not used
- Connect mains Live (L) to S1. Ideally mains Live should be fused.

downloaded freely at www.vegoilguy.co.uk/images/pid1.pdf

IMPORTANT - This diagram only relates to the Inkbird ITC-100VH. Other makes & models may work differently. This wiring diagram is provided freely "as is" without guarantee of completeness or accuracy. I've tried my best and it worked for me, but I cannot be held responsible for anything that goes wrong should you choose to use it. By using this diagram you acknowledge this and also those terms and conditions laid down on my website here: www.vegoilguy.co.uk/terms